

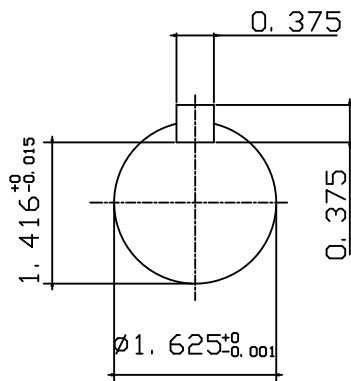
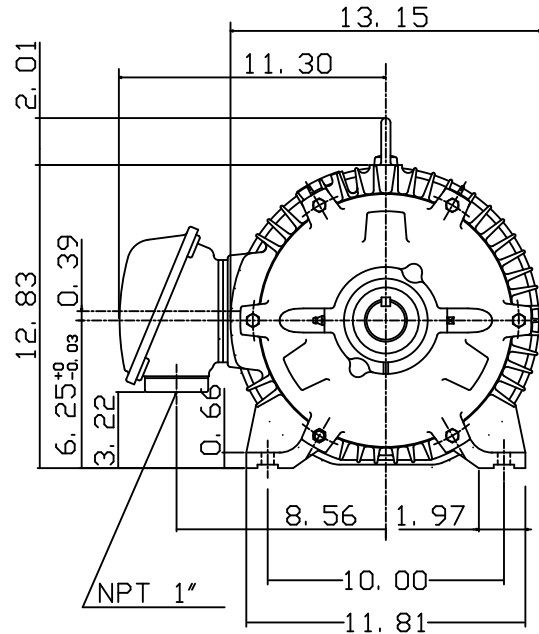
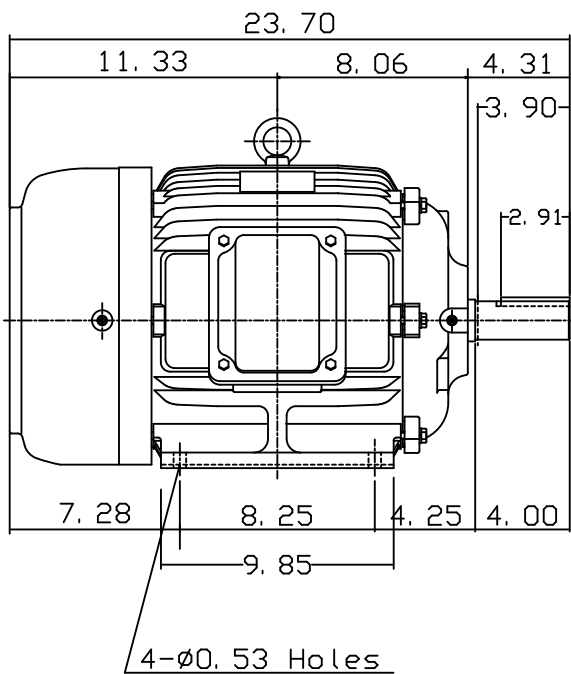
DATE
OCT. 30, 2015
CATALOG NO.
QT7/56

OUTLINE DIMENSIONS
3-PHASE INDUCTION MOTOR

MOTOR TYPE:
AEEAFP
FRAME NO. 254T

Pole	HP	KW	Hz	VOLT	Syn. Speed RPM
6	7.5	5.6	60	230/460	1200
Ins	Rating	Dimension in	Approx Weight	Bearings	
F	CONT.	inches	276 lbs.	DE: 6309ZZ NDE: 6307ZZ	

Totally Enclosed Fan-Cooled Type. Squirrel-cage Rotor.



NOTE:

1. KLIXON 9700 THERMOSTAT, ONE PER PHASE, LEADS TERMINATE IN MAIN LEAD T-BOX. NORMALLY CLOSED.



DWN.	C. COOK	10-30-15

TECO Westinghouse

DWG NO.
QT7/56